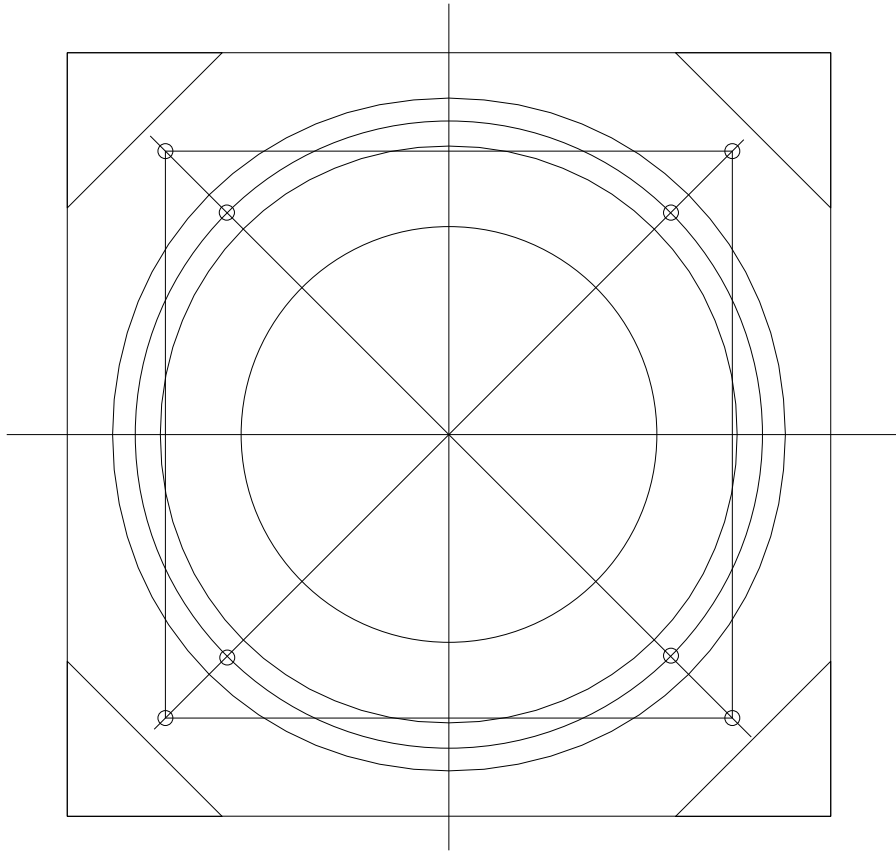


Bottom Plate



Top Plate

