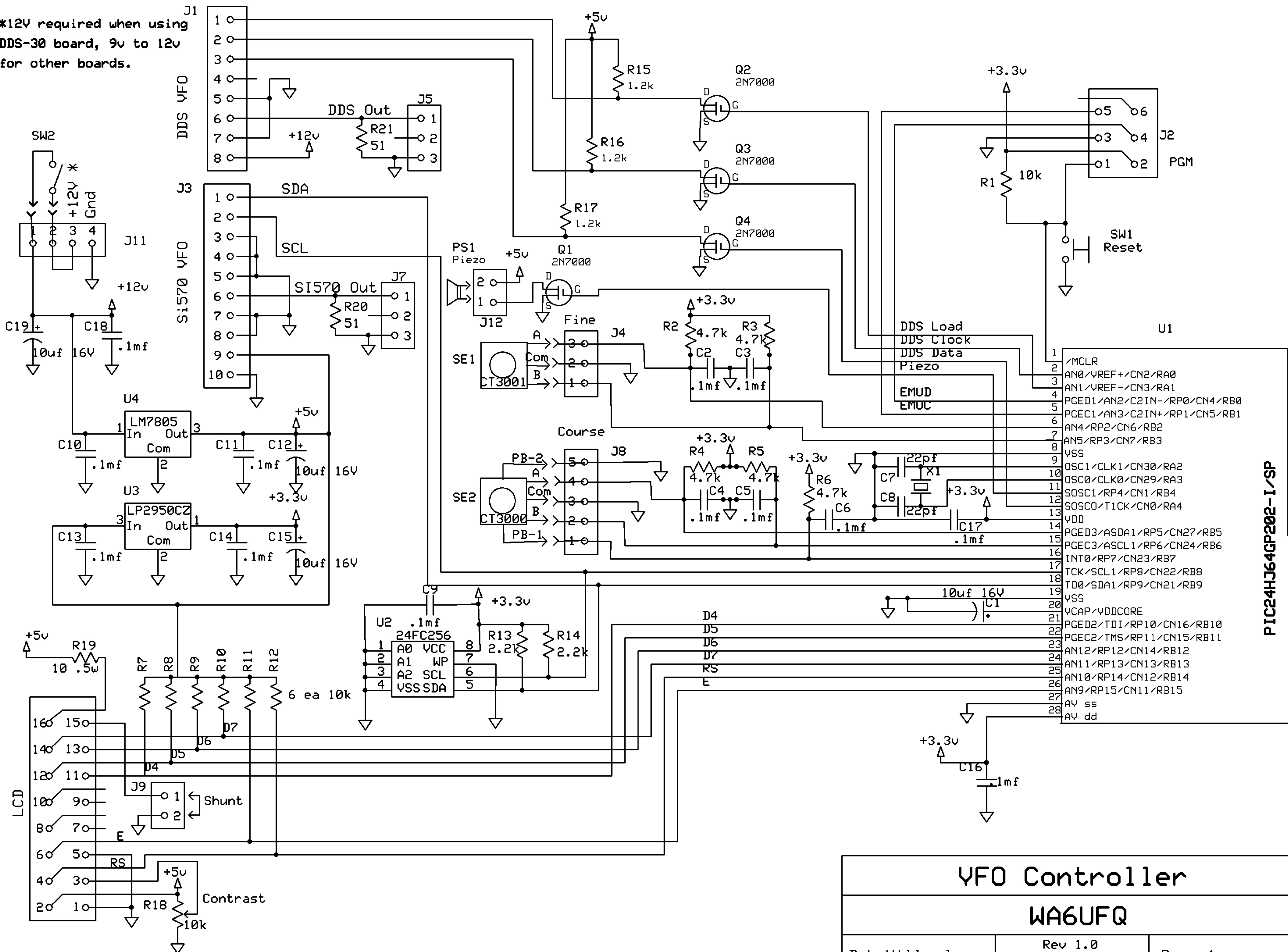
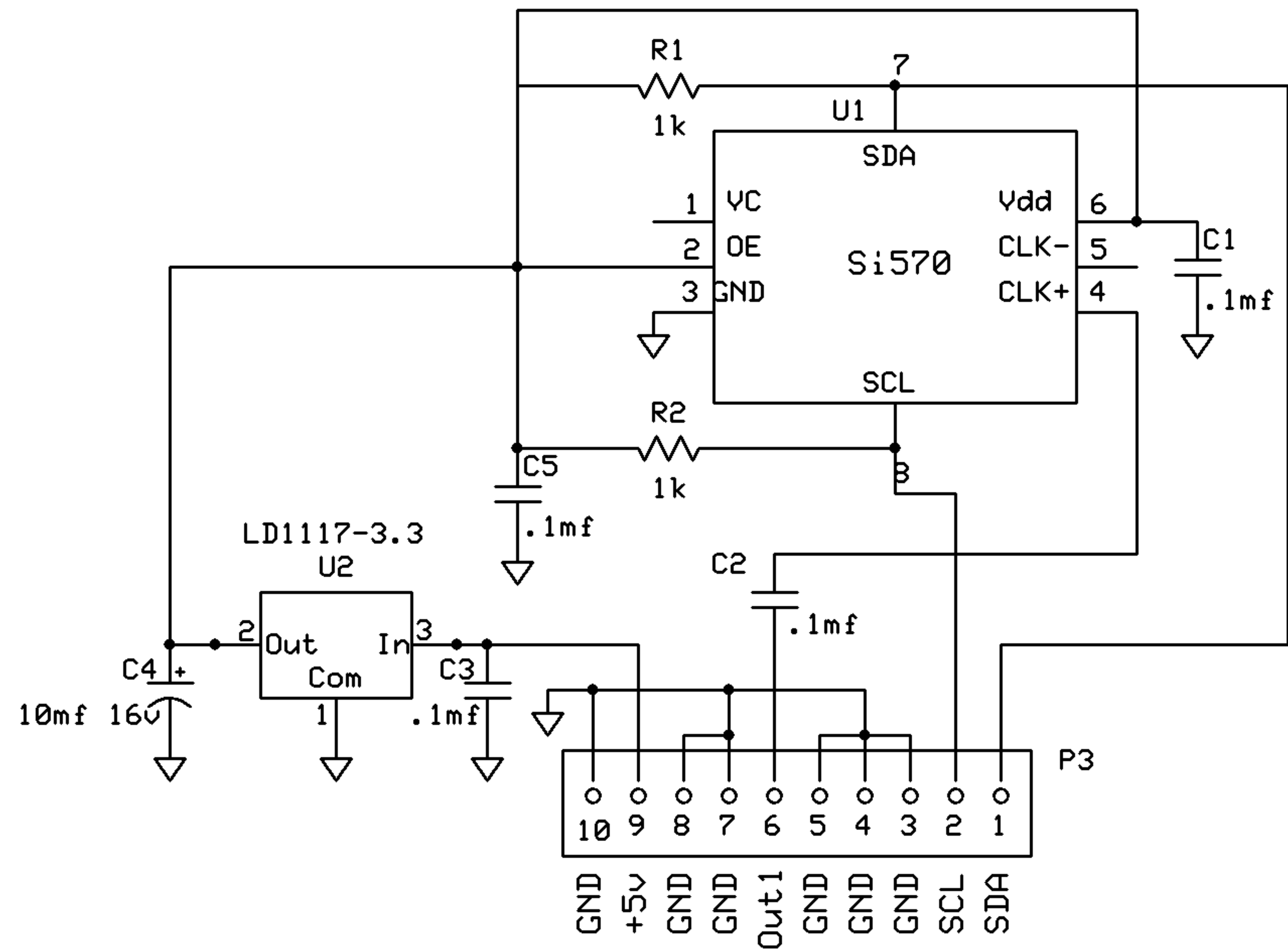


*12V required when using DDS-30 board, 9v to 12v for other boards.



VFO Controller		
WA6UFQ		
Bob Hillard	Rev 1.0	Page 1
	9/22/2008	



Si570 Oscillator		
WA6UFQ		
Bob Hillard	Rev 3.0	Page 1
	5/13/2008	